

MVHB-260 series

HAND VALVE



Mindman

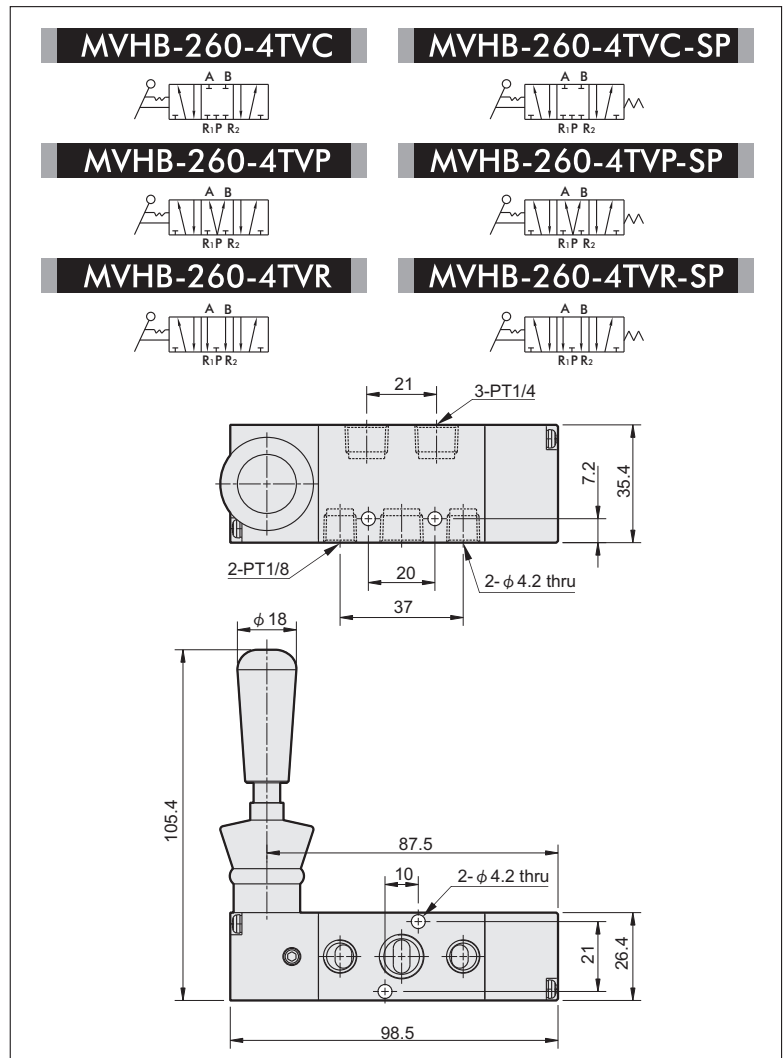
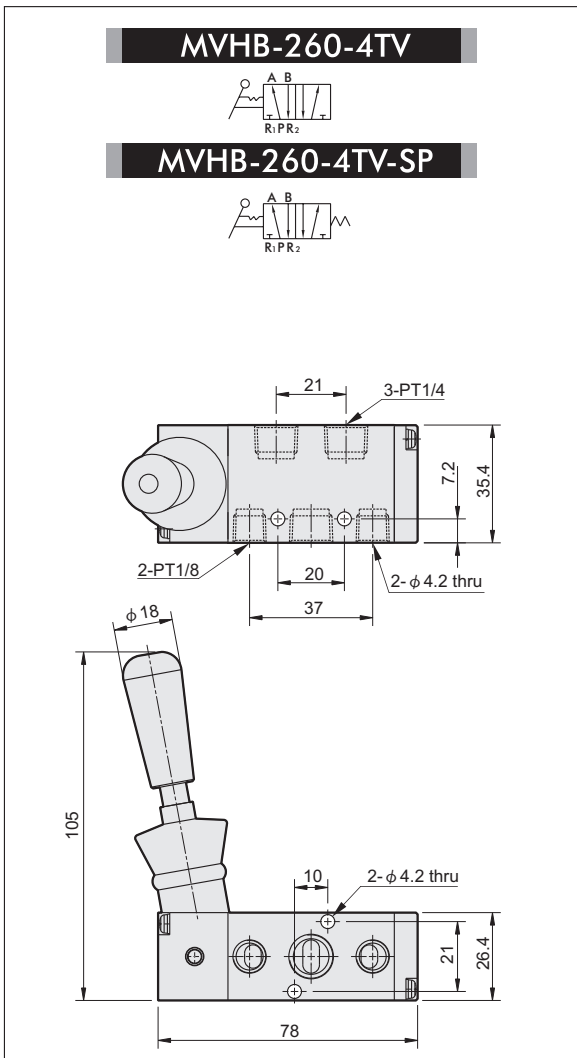
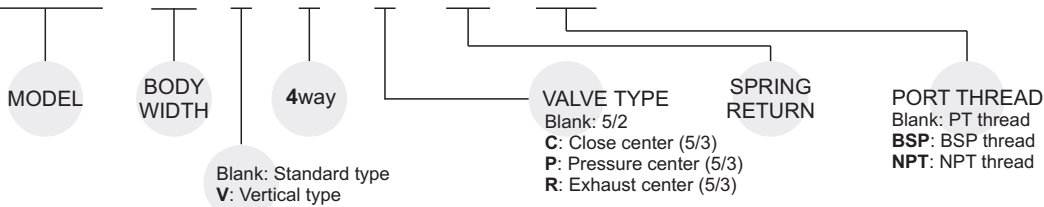


Specification:

Model	MVHB-260(V)-4TV MVHB-260(V)-4TV-SP	MVHB-260(V)-4TV* MVHB-260(V)-4TV*-SP
Bore No.	8A	
Port size	PT 1/4	
No. of port	5	
No. of position	2	3
Medium	Air	
Operating pressure range	0~9.9 kgf/cm ²	
Effective orifice	18 mm ²	
Ambient temperature	-5~+60°C (No freezing)	
Weight	219 g	278 g

Order example:

MVHB-260V-4TVC-SP-BSP



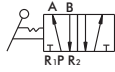
MVHB-260

HAND VALVE

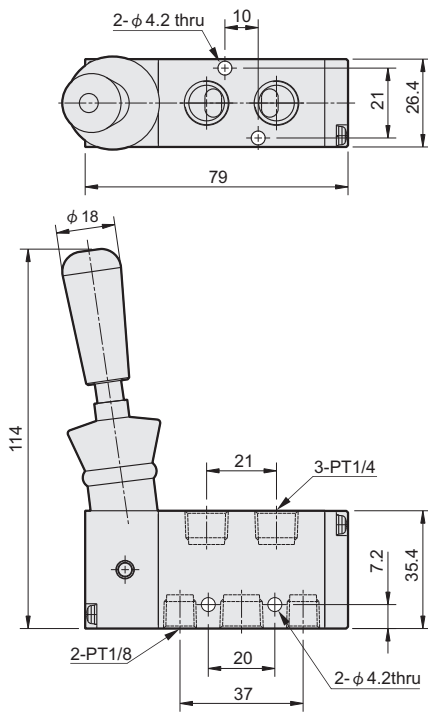
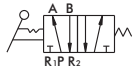


mindman

MVHB-260V-4TV



MVHB-260V-4TV-SP



MVHB-260V-4TVC



MVHB-260V-4TVC-SP



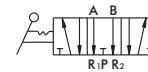
MVHB-260V-4TVP



MVHB-260V-4TVP-SP



MVHB-260V-4TVR



MVHB-260V-4TVR-SP

